

**Product Highlights:**

- Ideal for Recessed Lighting, under cabinet and Outdoor applications
- Designed for LED lighting and signage applications
- Universal AC input (108~305Vac)
- Operates -35C to +70C ambient (Tcase rated for 90C)
- Built-in active PFC provide PF>0.90 over entire input range
- Class II power supply
- Plastic case (UL94V-0) cooled by air convection
- Protections: Short circuit / Over voltage / Over Current / Over temperature
- Dimmable output with flexible architecture
  - DC Dimming (0-10V) (2 wire dimming input)
  - RD Dimming (3-wire dimming input)
  - Support majority of available dimming solutions
  - Wide dimming range from 5% up to 100%
- 5 year warranty



**Compliance:**

- Safety: UL8750, Class 2 (UL1310)
- EMI: FCC Part 15 Class B
- IP66 - Suitable for indoor or outdoor applications in dry, damp and wet locations
- Materials: RoHS Compliant
- Class A Noise Rating



**Orderable Part Number**

**Constant Current Variants**

Part Number	Output Current (A)	Output Voltage Range (V)	Line/Load Reg.	Max. Effic.	Max. Output Power (W)	Dimmable
XEL-A050A-024-C2X10-Z	2.10	15 ~ 24	±5%	84%	50W	✓
XEL-A050A-024-C1X66-Z	1.66	20 ~ 30	±5%	85%	50W	✓
XEL-A050A-042-C1X40-Z	1.40	24 ~ 36	±5%	85%	50W	✓
XEL-A050A-042-C1X20-Z	1.20	30 ~ 42	±5%	85%	50W	✓
XEL-A050A-052-C1X00-Z	1.00	42 ~ 53.5	±5%	86%	50W	✓
XEL-A050A-042-CX700-Z	0.70	28~42	±5%	85%	29W	✓

**Constant Voltage Variants**

Part Number	Output Current (A)	Output Voltage Range (V)	Line/Load Reg.	Max. Effic.	Max. Output Power (W)	Dimmable
XEL-A050A-024-V2X10	2.10	24	±5%	84%	50W	✓
XEL-A050A-042-V1X66	1.66	30	±5%	85%	50W	✓
XEL-A050A-042-V1X40	1.40	36	±5%	85%	50W	✓
XEL-A050A-042-V1X20	1.20	42	±5%	85%	50W	✓
XEL-A050A-052-V1X05	1.05	48	±5%	86%	50W	✓
XEL-A050A-042-VX700	0.70	42	±5%	85%	29W	✓

-Z at the end of the part number identifies dimmable variant. If the variant you need is not listed, please contact Xenerqi ([Sales@Xenerqi.com](mailto:Sales@Xenerqi.com)) and we can arrange for a customized solution.

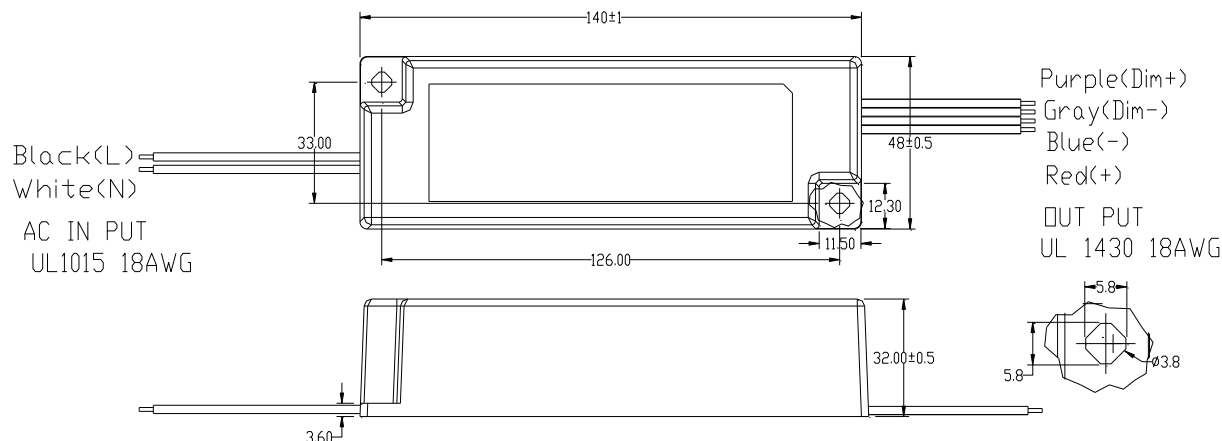
**General Specification**

SERIES	XL-A050A	
OUTPUT	DC VOLTAGE RANGE	15 ~ 53.5 Vdc (see orderable parts table for details)
	RATED CURRENT RANGE	0.6 ~ 2.1 A
	RATED POWER	up to 50 W
	LINE/LOAD REGULATION <sup>1</sup>	±5%
	TURN ON TIME	< 800ms
INPUT	VOLTAGE RANGE	108 ~ 305Vac
	FREQUENCY RANGE	50 ~ 60Hz
	POWER FACTOR (Typ.)	PF≥ 90% at full load
	EFFICIENCY (Typ.)	≥ 85 % at full load
	AC CURRENT	0.8A @ 120Vac and 0.4 max @ 277Vac
	INRUSH CURRENT (Typ.)	< 15A @ 25°C, 120VAV cold start with full load
	LEAKAGE CURRENT	< 250µA @ 120Vac 60Hz
	THD (TOTAL HARMONIC DIST.)	< 20%
DIMMING	MODES	DC Dimming Control: 0-10 Vdc RD Dimming Control: 3-wire 50KΩ resistance dimming
	PROTECTION	SHORT CIRCUIT: Hiccup mode protection. Recovers automatically after fault condition is removed OVER VOLTAGE: < 30% above the maximum output voltage listed, whichever is higher OVER CURRENT: < 10% above the maximum output current listed for the specific part number OVER TEMPERATURE: Unit dims down to 10% output current when Tc>90°C.
ENVIRONMENT	WORKING TEMP.	-35°C ~ +70°C ambient at Full Load (Tcase rated for 90C)
	WORKING HUMIDITY	20% ~ 90% RH non-condensing
	STORAGE TEMP.	-40°C ~ + 85°C ambient
	STORAGE HUMIDITY	10% ~ 90% RH non-condensing
	VIBRATION	5~500Hz 5g 12 min/1 cycle period for 30 min each along x, y, z axis

<b>SAFETY &amp; EMC</b>	SAFETY STANDARDS	UL8750, Class 2 (UL1310) CE, TUV, FCC, IP66 Compliant
	EMI CONDUCTION & RADIATION	Compliance to CISPR 22 CLASS B, CISPR 14-1 CLASS B, GB4343.1-2003, GB17625.1-2003, GB4343-2003+A1, CISPR 14-1:1997, EN55014-1:1997-5, EN55012-1:1997-6
	HARMONIC CURRENT	Compliance to GB4343-2003+A1, CISPR 14-1:EN61000-3-2:1995
	EMS IMMUNITY	Compliance to GB/T13926.3, IEC61000-4-3 & 4-4, PrEN55014-2 Section 6.2 & 6.5, IEC61000-4-11.
	TRANSIENT SUPPRESSION	4kV (100kHz ring wave at 4kV common mode and differential)
<b>OTHERS</b>	LIFETIME	50,000 hours @ 70°C ambient temperature

Note 1: Load Regulation includes line regulation, load regulation and set-up tolerance  
 Note 2: All specifications not specifically mentioned are measured at 230Vac and 25°C ambient temperature

**Mechanical Details**



Wires	Colors	Type
<b>Input</b>	White (Neutral)	UL1015
	Black (Line)	AWG18
<b>Output</b>	Red (Positive)	UL1430
	Black (Ground)	AWG18
<b>Dimming (Optional)</b>	Purple (Dim +)	UL1430
	Gray (Dim -)	AWG18

Case	
<b>Material</b>	Black/White PC Plastic (94 V0)
<b>Unit Weight</b>	360g
<b>Dimensions</b>	140mm x 48mm x 32mm

**For more detailed information about this product please contact Xenerqi (sales@xenerqi.com)**

**Xenerqi Limited**

Email: [Sales@Xenerqi.com](mailto:Sales@Xenerqi.com)

Website: [www.xenerqi.com](http://www.xenerqi.com)

Phone: +1 (704) 746-9246

+(852) 3050-9292

+(65) 6494-8832

The information and specifications contained in this summary sheet are believed to be accurate and reliable at the time of publication, however Xenerqi Limited assumes no responsibility for damages caused due to potential errors. Also, Xenerqi Limited assumes no responsibility for the use of this product in such way that it infringes on patents or other rights of third parties. No license is granted by implication or otherwise under any patent or patent rights of Xenerqi Limited. Specifications are subject to change without notice. It is upto the end user to ensure they have the latest revision of the published specifications.