

**Product Highlights:**

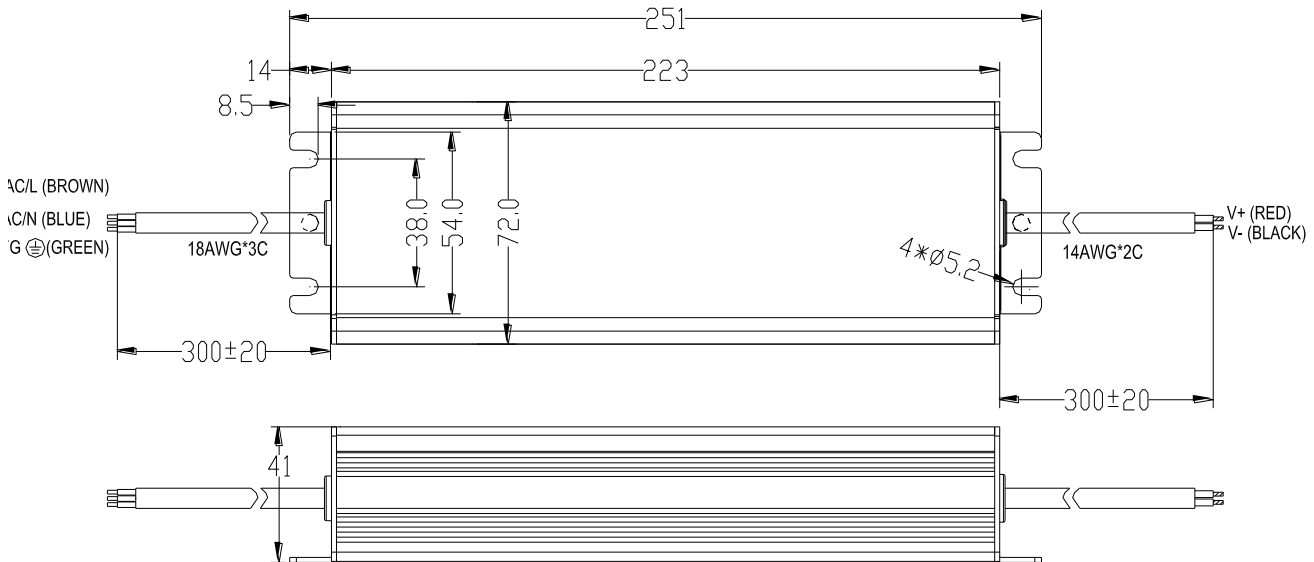
- Universal AC input / Full range (up to 305VAC)
- Protections: Short circuit / Over load / Over voltage / Over temperature
- Built-in active PFC function
- Cooling by free air convection
- Suitable for LED lighting and moving sign applications
- IP67 design for indoor or outdoor installations
- Compliance to worldwide safety regulations for lighting
- 3 year warranty


**SPECIFICATION**

MODEL		XEL-A240VA-12	XEL-A240VA-20	XEL-A240VA-24	XEL-A240VA-30	XEL-A240VA-36	XEL-A240VA-42	XEL-A240VA-48
OUTPUT	DC VOLTAGE	12V	20V	24V	30V	36V	42V	48V
	CONSTANT CURRENT REGION	7~12V	12~20V	14~24V	18~30V	22~36V	30~42V	36~48V
	RATED CURRENT	15A	12A	10A	8A	6.7A	5.72A	5A
	RATED POWER	180W	240W	240W	240W	240W	240W	240W
	RIPPLE&NOISE (max)	200mVp-p	200mVp-p	240mVp-p	300mVp-p	360mVp-p	420mVp-p	480mVp-p
	VOLTAGE TOLERANCE	±4.0%	±4.0%	±4.0%	±4.0%	±4.0%	±4.0%	±4.0%
	LINE REGULATION	±1.0%	±1.0%	±1.0%	±1.0%	±1.0%	±1.0%	±1.0%
	LOAD REGULATION	±3.0%	±3.0%	±3.0%	±3.0%	±3.0%	±3.0%	±3.0%
	SETUP, RISE TIME	2500ms, 80ms at full load 230VAC/115VAC						
	HOLD UP TIME (Typ.)	16ms at full load 230VAC/115VAC						
INPUT	VOLTAGE RANGE	100 ~ 305VAC		127 ~ 430VDC				
	FREQUENCY RANGE	47 ~ 63Hz						
	POWER FACTOR (Typ.)	PF ≥ 0.95/230VAC		PF ≥ 0.96/115VAC at full load				
	EFFICIENCY (Typ.)	90%	90%	93%	93%	93%	93%	93%
	AC CURRENT	3.6A/115VAC		1.8A/230VAC				
	INRUSH CURRENT (Typ.)	COLD START 80A/230VAC						
	LEAKAGE CURRENT	<0.75mA / 277VAC						
PROTECTION	OVERLOAD	95 ~ 110%						
		Protection type :Constant current limit, recovers automatically after fault condition removal						
	SHORT CIRCUIT	Hiccup mode recovers automatically after fault condition removal						
	OVER VOLTAGE	14 ~ 18V	23 ~ 28V	27 ~ 33V	33 ~ 38V	39 ~ 45V	46 ~ 50V	53 ~ 60V
		Protection type : Shut down and latch off o/p voltage, re-power on to recover						
OVER TEMPERATURE	105°C±5°C							
	Protection type : Shut down o/p voltage, recovers automatically after temperature goes down							
ENVIRONMENT	WORKING TEMP.	-30 ~ + 60°C@Full Load; + 70°C@60% (Refer to derating curve)						
	WORKING HUMIDITY	20% ~ 95% RH non-condensing						
	STORAGE TEMP., HUMIDITY	-40 ~ +80°C , 10 ~ 95% RH						
	TEMP. COEFFICIENT	±0.03% /°C (0 ~ 50 °C)						
	VIBRATION	10 ~ 500Hz, 2G 3AXES 10min./1cycle, period for 60min. each along X, Y, Z axes						
SAFETY & EMC	SAFETY STANDARDS	UL60950-1 Recognized, UL8750 recognized Class 2 Output. EN61347-2-13 electronic control gear for LED Modules						
	WITHSTAND VOLTAGE	I/P-O/P:3000VAC, I/P-FG:1800VAC						
	ISOLATION RESISTANCE	I/P-O/P:100M Ohms/500VDC/25°C/ 70% RH						
	EMI CONDUCTION & RADIATION	EN55015 Class A, FCC 47CFR Part 15 Class A						
	HARMONIC CURRENT	Compliance to EN61000-3-2, class C(≥60% Load) EN61000-3-3						
	EMS IMMUNITY	Compliance to EN61000-4-2,3,4,5,6,8,11; ENV50204, EN61547, EN55024, heavy industry level (surge 4KV), criteria A						

OTHERS	MTBF	200Khrs min. MIL-HDBK-217F (25 °C)
	DIMENSION	251*72*41mm (L*W*H)
	PACKING (Typ.)	1320g±20;

**Mechanical Specification**



**Wiring Details**

**INPUT CABLE**

SVT 18AWG 3C  
 Black (L) and White(N), Green (Earth) 300±20mm

**OUTPUT CABLE**

SJT 14AWG 2C  
 Black (-V) and Red (+V) 300±20mm