

Product Highlights:

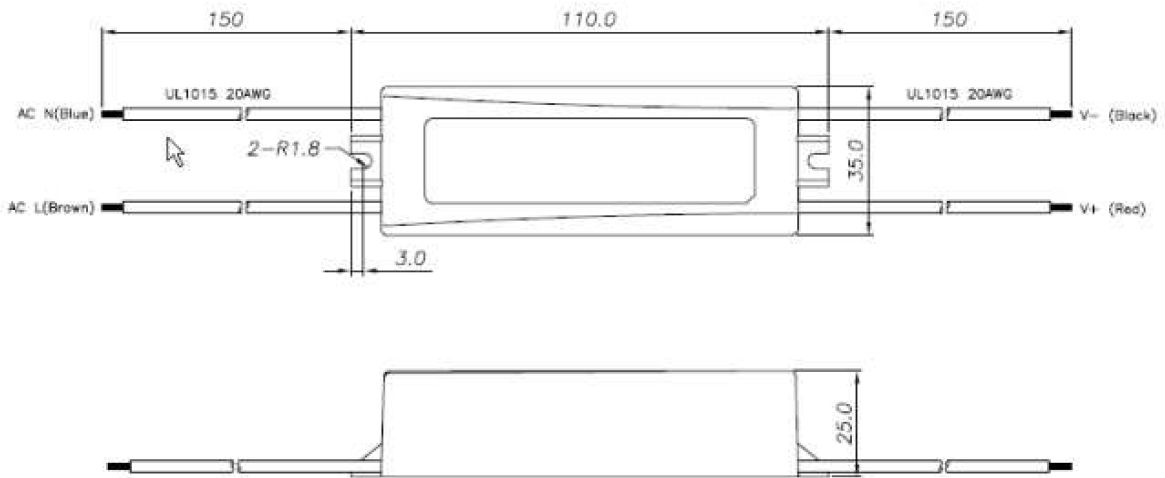
- Universal AC input / Full range (90~264VAC)
- Built-in active PFC function
- Operation from -20°C~60°C full load
- External Dimming Control
- Protections: Short circuit / Over load / Over temperature
- Cooling by free air convection
- Suitable for LED lighting and moving sign applications
- IP67 design for indoor or outdoor installations
- Compliance to worldwide safety regulations for lighting
- Fully enclosed plastic case
- 3 year warranty


Specification

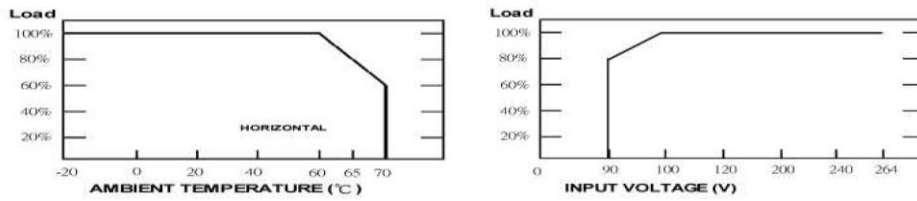
MODEL		XEL-B015CB-12	XEL-B015CB-22	XEL-B015CB-30	XEL-B015CB-42
OUTPUT	DC VOLTAGE	12V	22V	30V	42V
	RATED CURRENT	1250mA	700mA	500mA	350mA
	RATED POWER	15W	15.4W	15W	14.7W
	EFFICIENCY	81%	83%	83%	84%
	VOLTAGE RANGE	8 ~ 12V	14 ~ 22V	24 ~ 30V	26 ~ 42V
	VOLTAGE TOLERANCE	±5%	±5%	±5%	±5%
	SET UP TIME	<500ms at full load			
INPUT	VOLTAGE RANGE	90 ~ 264VAC			
	FREQUENCY RANGE	47 ~ 63Hz			
	POWER FACTOR (Typ.)	PF ≥ 0.88/120VAC PF ≥ 0.8/240VAC at full load			
	AC CURRENT	0.25A/115VAC 0.1A/230VAC			
	INRUSH CURRENT (Typ.)	COLD START 11A/115VAC 15A/230VAC			
	LEAKAGE CURRENT	<0.25mA / 230VAC			
PROTECTION	OVER TEMPERATURE	95°C ± 10°C			
	SHORT CIRCUIT	Hiccup mode, recovers automatically after fault condition remove			
ENVIRONMENT	WORKING TEMP.	-20 ~ 60°C@Full Load (Refer to output load de-rating curve)			
	WORKING HUMIDITY	20% ~ 95% RH non-condensing			
	STORAGE TEMPERATURE	-40 ~ +80°C			
	STORAGE HUMIDITY	10% ~95% RH			
	VIBRATION	10 ~ 500Hz, 2G 10min./1cycle, period for 60min. each along X, Y, Z axes			
SAFETY & EMC	SAFETY STANDARDS	Meet EN61347-1, EN61347-2-13			
	WITHSTAND VOLTAGE	I/P-O/P:3.75KVAC			
	ISOLATION RESISTANCE	I/P-O/P:100M Ohms/500VDC/25°C			
	EMI CONDUCTION & RADIATION	Meet EN55015			
OTHERS	EMS IMMUNITY	Compliance to EN61000-4-2,3,4,5,6,8,11			
	MTBF	200Khrs min. MIL-HDBK-217F (25 °C)			
	DIMENSION	(L)110 X (W)35 X (H)25mm			
	PACKING (Typ.)	(L)460 X (W)270 X (H)210mm			
	WEIGHT	100pcs/14Kg			

Note: 1. All parameters not specially mentioned are measured at 230Vac input, rated load and 25°C ambient temperature.
 2. Ripple & noise are measured at 20MHZ bandwidth oscilloscope and with 0.1uf & 47uf parallel capacitor.
 3. The power supply is considered a component which will be installed in final equipment. The final equipment must be re-confirmed that it still meets EMC directives.

Mechanical Specification



De-rating Curve



The information and specifications contained in this data sheet are believed to be accurate and reliable at the time of publication, however Xenerqi Limited assumes no responsibility for damages caused due to potential errors. Also, Xenerqi Limited assumes no responsibility for the use of this product in such a way that it infringes on patents or other rights of third parties. No license is granted by implication or otherwise under any patent or patent rights of Xenerqi Limited. Specifications are subject to change without notice.