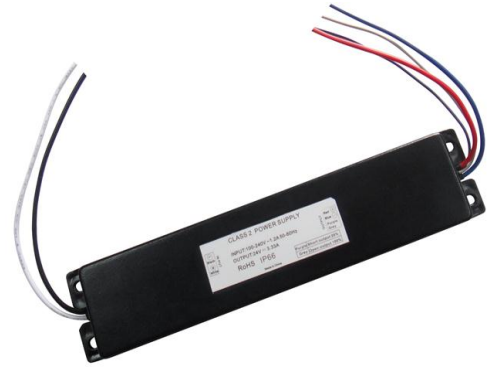


Product Highlights:

- Universal AC input / Full range (up to 264VAC)
- Built-in active PFC function, PF>0.90
- External Dimming Control
- Protections: Short circuit / Over load / Over temperature
- Cooling by free air convection
- Suitable for LED lighting and moving sign applications
- IP66 design for indoor or outdoor installations
- Compliance to worldwide safety regulations for lighting
- UL 1310 Compliant
- Fully enclosed plastic case
- 3 year warranty



SPECIFICATION

MODEL		XEL-B032VA-12	XEL-B032VA-24	XEL-B032VA-42
OUTPUT	DC VOLTAGE	12V	24V	42V
	RATED CURRENT	5.0A	3.30A	1.9A
	RATED POWER	60W	80W	80W
	RIPPLE&NOISE(max)	200mVp-p	240mVp-p	420mVp-p
	VOLTAGE TOLERANCE	±4.0%	±4.0%	±4.0%
	LINE REGULATION	±1.0%	±1.0%	±1.0%
	LOAD REGULATION	±3.0%	±3.0%	±3.0%
	SETUP, RISE TIME	2500ms, 80ms at full load 240VAC/120VAC		
HOLD UP TIME (Typ.)	16ms at full load 240VAC/240VAC			
INPUT	VOLTAGE RANGE	100 ~ 264VAC		
	FREQUENCY RANGE	47 ~ 63Hz		
	POWER FACTOR (Typ.)	PF ≥ 0.90/230VAC PF ≥ 0.95/115VAC at full load		
	EFFICIENCY (Typ.) @ >120VAC, Full load	83%	85%	85%
	AC CURRENT	1.2A/115VAC 0.6A/230VAC		
	INRUSH CURRENT (Typ.)	COLD START 80A/230VAC		
	LEAKAGE CURRENT	<0.75mA / 240VAC		
PROTECTION	OVERLOAD	110 ~ 150% Protection type :Constant current limiting, recovers automatically after fault condition remove		
	SHORT CIRCUIT	Hiccup mode, recovers automatically after fault condition remove		
	OVER TEMPERATURE	90°C±5°C Protection type : Shut down o/p voltage, recovers automatically after temperature goes down		
ENVIRONMENT	WORKING TEMP.	-30 ~ + 45°C@Full Load; +5 0°C@60% (Refer derating curve)		
	WORKING HUMIDITY	20% ~ 95% RH non-condensing		
	STORAGE TEMP., HUMIDITY	-40 ~ +70°C , 10 ~ 95% RH		
	TEMP. COEFFICIENT	±0.03% /°C (0 ~ 45 °C)		
	VIBRATION	10 ~ 500Hz, 2G 3AXES 10min./1cycle, period for 60min. each along X, Y, Z axes		
SAFETY & EMC	SAFETY STANDARDS	U L1310 Class 2, CAN/CSA C22.2 No. 223-M91		
	WITHSTAND VOLTAGE	I/P-O/P:3000VAC,		
	ISOLATION RESISTANCE	I/P-O/P:100M Ohms/500VDC/25°C/ 70% RH		
	EMI CONDUCTION & RADIATION	complies with the requirements of the Federal Communications Commission (FCC) rules and regulations, Title 47 CFR Part 15 Non-Consumer (Class A) for EMI/RFI (conducted and radiated) at full load.		
	HARMONIC CURRENT	Compliance to EN61000-3-2, class C(≥70% Load) EN61000-3-3		
	EMS IMMUNITY	Compliance to EN61000-4-2,3,4,5,6,8,11;heavy industry level (surge 4KV), criteria A		
MTBF	200Khrs min. MIL-HDBK-217F (25 °C)			

OTHERS	DIMENSION	(L)250 X (W)51.5 X (H)25.4
	PACKING (Typ.)	550g±10g

Dimming Operation

The supply provides two control wires (purple and gray) that when shorted together will change to output of the power supply from steady state 12/24/42VDC to a pulse width modulated 0 ~ 12/24/42VDC square wave with a 20% duty cycle. When the control wires are separated, the output will revert back to steady state 12/24/42VDC (See attached Figure). Performance specifications shall still be valid while in dimming mode.

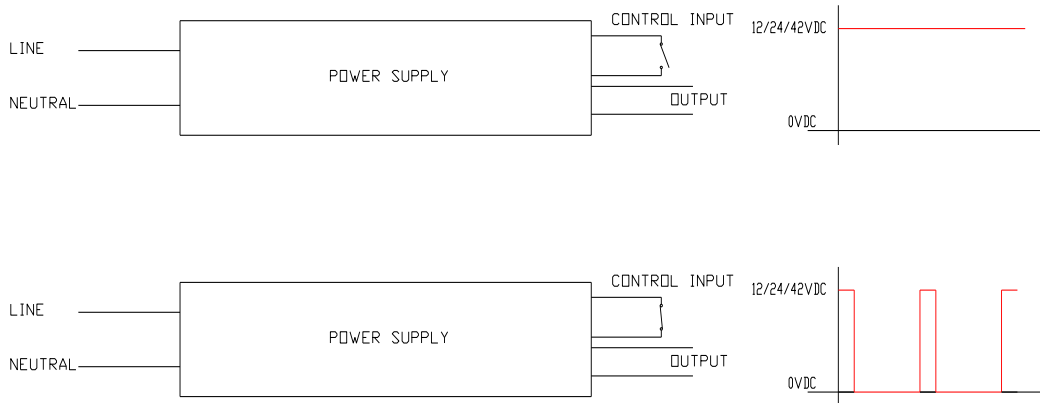
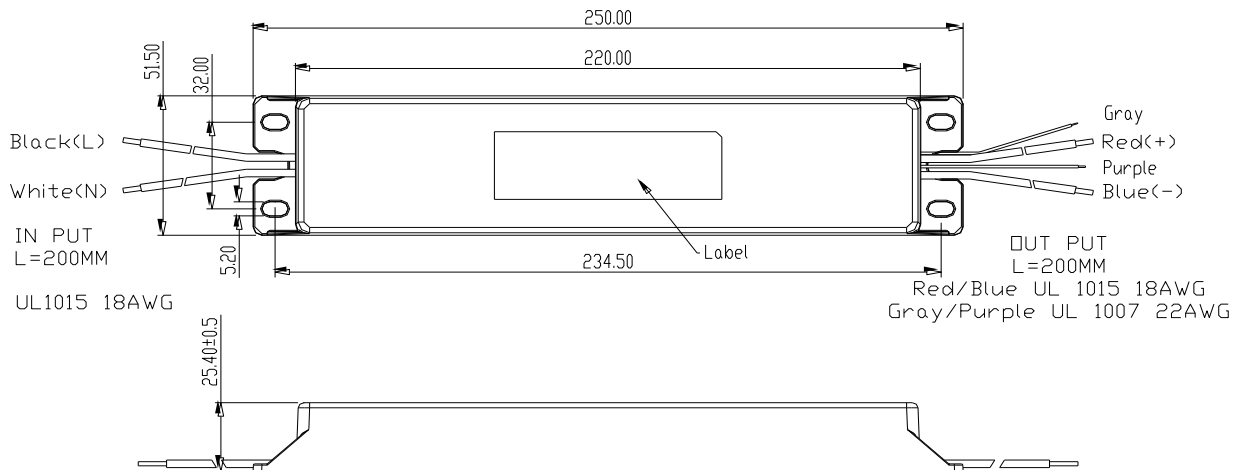


Fig.1 Dimming Operation

Mechanical Specification



Wiring Details

INPUT CABLE

UL1015 18 AWG
Black (L) and White(N), 200±20mm

OUTPUT CABLE

UL1015 18 AWG
Blue (-V) and Red (+V) 200±20mm

DIMMING CABLE

UL1007 22 AWG
Purple and Grey 200±20mm