

Product Highlights:

- Designed for LED lighting and signage applications
- Universal AC input (90~305VAC)
- Built-in active PFC provide PF>0.92 over entire input range
- Class II power supply
- Plastic case cooled by air convection
- Suitable for placement in standard electrical junction box
- Protections: Short circuit / Over voltage / Over Current / Over temperature
- Class A Noise Rating
- Dimmable output with flexible architecture
 - DC Dimming (0-10V) (2 wire dimming input)
 - RD Dimming (3-wire dimming input)
 - PWM Dimming
- 5 year warranty



Compliance:

- Materials: RoHS Compliant
- Safety: UL8750, cUL, CE, TUV
- EMI: FCC Part 15/18 Class B and EN5501 Compliant
- IP66 - Suitable for indoor or outdoor applications in dry, damp and wet locations

Orderable Part Numbers

Constant Current Variants

Part Number	Output Current (mA)	Output Voltage Range (V)	Load Reg.	Max. Effic.	Max. Output Power (W)
XEL-A030CA-X350	350	28 ~ 85	±3%	88%	30
XEL-A030CA-X400	400	25 ~ 75	±3%	87%	30
XEL-A030CA-X450	450	22 ~ 66	±3%	87%	30
XEL-A030CA-X700	700	14 ~ 42	±3%	87%	30
XEL-A030CA-X830	830	12 ~ 36	±3%	86%	30
XEL-A030CA-1X25	1250	8 ~ 24	±3%	86%	30
XEL-A030CA-1X66	1660	6 ~ 18	±3%	85%	30
XEL-A030CA-2X50	2500	4 ~ 12	±3%	85%	30

Constant Voltage Variants

Part Number	Output Voltage (V)	Max. Output Current (mA)	Load Reg.	Max. Effic.	Max. Output Power (W)
XEL-A030VA-085	85	350	±3%	88%	30
XEL-A030VA-075	75	400	±3%	87%	30
XEL-A030VA-066	66	450	±3%	87%	30
XEL-A030VA-042	42	700	±3%	87%	30
XEL-A030VA-036	36	830	±3%	86%	30
XEL-A030VA-024	24	1250	±3%	85%	30
XEL-A030VA-018	18	1660	±3%	85%	30
XEL-A030VA-012	12	2500	±3%	84%	30

For dimmable units add a -ZA suffix to the part numbers above

If the variant you need is not listed, please contact Xenerqi (Sales@Xenerqi.com) and we can arrange for a customized solution

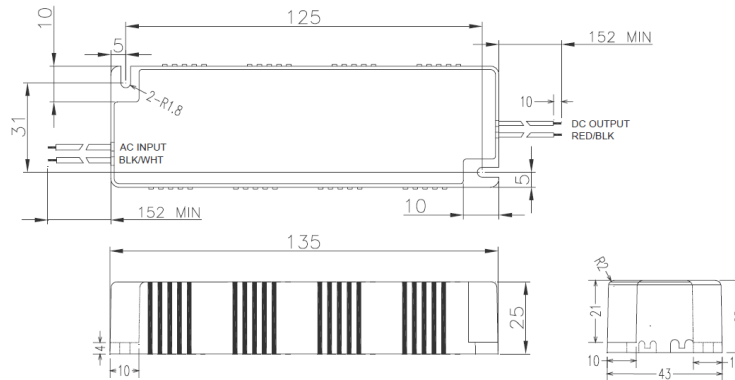
General Specification

SERIES		XEL-A040(C/V)A
OUTPUT	DCVOLTAGE RANGE	3 ~ 85V (see orderable parts table for details)
	RATED CURRENT RANGE	350mA ~ 2.50A (see orderable parts table for details)
	RATED POWER	up to 30W
	LOAD REGULATION ¹	±3%
INPUT	VOLTAGE RANGE	90 ~ 305VAC
	FREQUENCY RANGE	47 ~ 63Hz
	POWER FACTOR (Typ.)	PF ≥ 92% at full load
	EFFICIENCY (Typ.)	84 ~ 88% at full load
	AC CURRENT	0.4A @ 120VAC
	INRUSH CURRENT (Typ.)	<15A @ 25°C, 230V cold start
	LEAKAGE CURRENT	<500µA (400µA typical)
DIMMING	MODES	DC Dimming Control: 0-10 Vdc
		RD Dimming Control: 3-wire 50KΩ resistance dimming
		PWM Dimming Adjustable Control Input: Duty 0%-100% (PWM frequency 200HZ-1KHZ, 10-24V Range)
PROTECTION	SHORT CIRCUIT	Hiccup mode protection. Recovers automatically after fault condition is removed
	OVER VOLTAGE	< 30% above the maximum output voltage listed for the specific part number
	OVER CURRENT	< 10% above the maximum output current listed for the specific part number
ENVIRONMENT	WORKING TEMP.	-30°C ~ + 60°C at Full Load
	WORKING HUMIDITY	5% ~ 95% RH non-condensing
	STORAGE TEMP., HUMIDITY	-40°C ~ + 85°C
	IMPACT RESISTANCE	1 g/s
	VIBRATION	5-55Hz/2g, 30 minutes

SAFETY & EMC	SAFETY STANDARDS	UL8750, CSA22.2, CE, TUV, FCC, IP66 Compliant
	EMI CONDUCTION & RADIATION	Compliance to CISPR 22 CLASS B, CISPR 14-1 CLASS B, GB4343.1-2003, GB17625.1-2003, GB4343-2003+A1, CISPR 14-1:1997, EN55014-1:1997-5, EN55012-1:1997-6
	HARMONIC CURRENT	Compliance to GB4343-2003+A1, CISPR 14-1:EN61000-3-2:1995
	EMS IMMUNITY	Compliance to GB/T13926.3, IEC61000-4-3 & 4-4, PrEN55014-2 Section 6.2 & 6.5, IEC61000-4-11.
OTHERS	LIFETIME	50,000 hour at full load and 60°C ambient temperature

Note 1: Load Regulation includes line regulation, load regulation and set-up tolerance
 Note 2: All specifications not specifically mentioned are measured at 230Vac and 25°C ambient temperature

Mechanical Details



Wires	Colors	Type
Input	White (Neutral)	UL1015
	Black (Line)	AWG18
Output	Red (Positive)	UL1015
	Black (Ground)	AWG18
Dimming (optional)	Yellow (+10V Output)	UL1015
	Purple (0-10V Input/ PWM Input)	UL1015
	Green (Ground)	AWG20

Case	
Material	Black/White PC ABS Plastic
Unit Weight	235g
Dimensions	125.0mm (L) x 41.0mm (W) x 25.0mm (H)

Drawing not to scale

**For more detailed information about this product,
 the Xenerqi Sales team can provide a full datasheet upon request**

Xenerqi Limited
 Email: Sales@Xenerqi.com
www.xenerqi.com

Phone: +1 (704) 746-9246
 +(852) 3050-9292
 +(65) 6494-8832

The information and specifications contained in this summary sheet are believed to be accurate and reliable at the time of publication, however Xenerqi Limited assumes no responsibility for damages caused due to potential errors. Also, Xenerqi Limited assumes no responsibility for the use of this product in such way that it infringes on patents or other rights of third parties. No license is granted by implication or otherwise under any patent or patent rights of Xenerqi Limited. Specifications are subject to change without notice.