

Product Highlights:

- Designed for LED lighting and signage applications
- Universal AC input (90~305VAC)
- Built-in active PFC provide PF>0.92 over entire input range
- Class II power supply
- Plastic case cooled by air convection
- Suitable for placement in standard electrical junction box
- Protections: Short circuit / Over voltage / Over Current / Over temperature
- Class A Noise Rating
- Dimmable output with flexible architecture (Optional)
 - DC Dimming (0-10V) (2 wire dimming input)
 - RD Dimming (3-wire dimming input)
 - PWM Dimming
- 5 year warranty



Compliance:

- Materials: RoHS Compliant
- Safety: UL8750, UL1310, UL48, cUL, CE, TUV, KAMA, CQC
- EMI: FCC Part 15/18 Class B and EN55015 Compliant
- IP66 - Suitable for indoor or outdoor applications in dry, damp and wet locations

Orderable Part Numbers

Constant Current Variants

Part Number	Output Current (mA)	Output Voltage Range (V)	Load Reg.	Max. Effic.	Max. Output Power (W)
XEL-A025CA-X350	350	24 ~ 72	±3%	88%	25
XEL-A025CA-X400	400	20 ~ 62	±3%	88%	25
XEL-A025CA-X450	450	18 ~ 56	±3%	88%	25
XEL-A025CA-X700	700	12 ~ 36	±3%	88%	25
XEL-A025CA-X850	850	14 ~ 28	±3%	87%	25
XEL-A025CA-1X04	1040	12 ~ 24	±3%	86%	25
XEL-A025CA-1X25	1250	12 ~ 20	±3%	86%	25
XEL-A025CA-1X56	1560	8 ~ 16	±3%	85%	25
XEL-A025CA-2X08	2080	8 ~ 12	±3%	85%	25

Constant Voltage Variants

Part Number	Output Voltage (V)	Max. Output Current (mA)	Load Reg.	Max. Effic.	Max. Output Power (W)
XEL-A025VA-072	72	350	±3%	87%	25
XEL-A025VA-062	62	400	±3%	87%	25
XEL-A025VA-056	56	450	±3%	87%	25
XEL-A025VA-036	36	700	±3%	87%	25
XEL-A025VA-028	28	850	±3%	87%	25
XEL-A025VA-024	24	1040	±3%	86%	25
XEL-A025VA-020	20	1250	±3%	86%	25
XEL-A025VA-016	16	1560	±3%	85%	25
XEL-A025VA-012	12	2080	±3%	85%	25

For dimmable units add a -ZA suffix to the part numbers above

If the variant you need is not listed, please contact Xenerqi (Sales@Xenerqi.com) and we can arrange for a customized solution

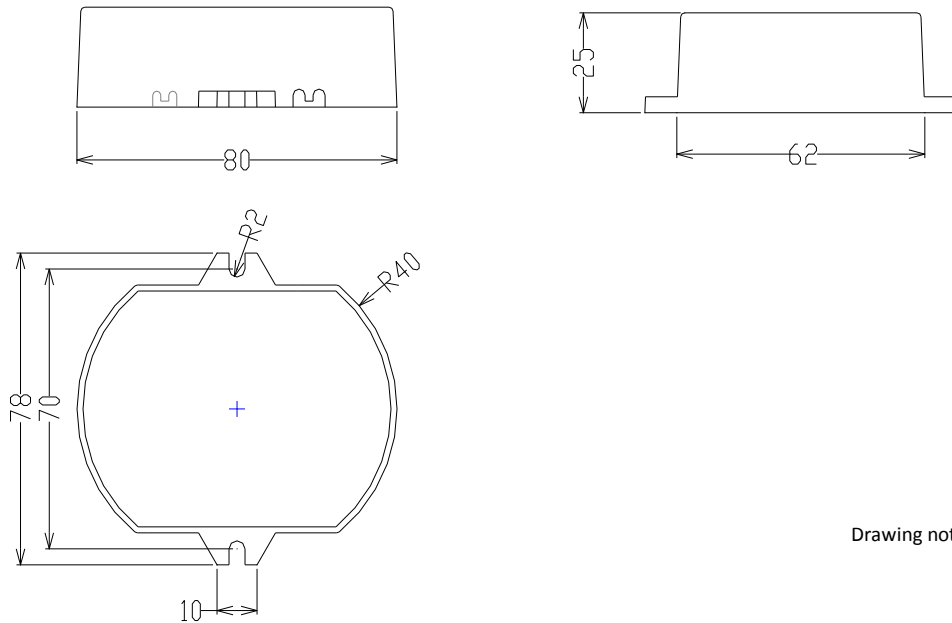
General Specification

SERIES	XEL-A025(C/V)A		
OUTPUT	DC VOLTAGE RANGE	8 ~ 72V (see orderable parts table for details)	
	RATED CURRENT RANGE	350mA ~ 2.08A (see orderable parts table for details)	
	RATED POWER	up to 25W	
	LOAD REGULATION ¹	±3%	
INPUT	VOLTAGE RANGE	90 ~ 305Vac	
	FREQUENCY RANGE	47 ~ 63Hz	
	POWER FACTOR (Typ.)	PF ≥ 92% at full load	
	EFFICIENCY (Typ.)	85 ~ 88% at full load	
	AC CURRENT	0.4A @ 120Vac	
	INRUSH CURRENT (Typ.)	<20A @ 25°C, 230V cold start	
	LEAKAGE CURRENT	<500µA (400µA typical)	
DIMMING	MODES	DC Dimming Control: 0-10 Vdc RD Dimming Control: 3-wire 50KΩ resistance dimming PWM Dimming Adjustable Control Input: Duty 0%-100% (PWM frequency 200HZ-1KHZ, 10-24V Range)	
	PROTECTION	SHORT CIRCUIT	Hiccup mode protection. Recovers automatically after fault condition is removed
		OVER VOLTAGE	< 30% above the maximum output voltage listed for the specific part number
OVER CURRENT		< 10% above the maximum output current listed for the specific part number	
ENVIRONMENT	WORKING TEMPERATURE	-30°C ~ + 60°C at Full Load	
	WORKING HUMIDITY	5% ~ 95% RH non-condensing	
	STORAGE TEMP., HUMIDITY	-40°C ~ + 85°C	
	IMPACT RESISTANCE	1 g/s	
	VIBRATION	5-55Hz/2g, 30 minutes	

SAFETY & EMC	SAFETY STANDARDS	UL8750, UL1310, UL48 CSA22.2, CE, TUV, KAMA, CQC, FCC, IP66 Compliant
	EMI CONDUCTION & RADIATION	Compliance to CISPR 22 CLASS B, CISPR 14-1 CLASS B, GB4343.1-2003, GB17625.1-2003, GB4343-2003+A1, CISPR 14-1:1997, EN55014-1:1997-5, EN55012-1:1997-6
	HARMONIC CURRENT	Compliance to GB4343-2003+A1, CISPR 14-1:EN61000-3-2:1995
	EMS IMMUNITY	Compliance to GB/T13926.3, IEC61000-4-3 & 4-4, PrEN55014-2 Section 6.2 & 6.5, IEC61000-4-11.
OTHERS	LIFETIME	50,000 hours at up to 45C

Note 1: Load Regulation includes line regulation, load regulation and set-up tolerance
 Note 2: All specifications not specifically mentioned are measured at 230Vac and 25°C ambient temperature

Mechanical Details



Drawing not to scale

Wires	Colors	Type
Input	White (Neutral)	UL1015
	Black (Line)	AWG18
Output	Red (Positive)	UL1015
	Black (Ground)	AWG18
Dimming (optional)	Yellow (+10V Output)	UL1015
	Purple (0-10V Input/ PWM Input)	AWG20
	Green (Ground)	

Case	
Material	Black/White PC ABS Plastic
Unit Weight	195g
Dimensions	80.0mm (L) x 62.0mm (W) x 25.0mm (H) 40.0mm (radius)

**For more detailed information about this product,
 the Xenerqi Sales team can provide a full datasheet upon request**

Xenerqi Limited
 Email: Sales@Xenerqi.com
www.xenerqi.com

Phone: +1 (704) 746-9246
 +(852) 3050-9292
 +(65) 6494-8832

The information and specifications contained in this summary sheet are believed to be accurate and reliable at the time of publication, however Xenerqi Limited assumes no responsibility for damages caused due to potential errors. Also, Xenerqi Limited assumes no responsibility for the use of this product in such way that it infringes on patents or other rights of third parties. No license is granted by implication or otherwise under any patent or patent rights of Xenerqi Limited. Specifications are subject to change without notice.