

**Product Highlights:**

- Designed for LED lighting applications
- Ideal for under cabinet application and tight spaces
- 0-10V dimming at ultra low power
- Universal AC input (108~305VAC)
- Built-in active PFC provide PF>0.90 over entire input range
- Class II power supply
- Plastic case (UL94V-0) cooled by air convection
  - Case mounting holes on two sides
  - Available in black (Standard) or White
- Protections:
  - Short circuit / Over voltage / Over Current
  - Over temperature / SVA Rated Case
- Dimmable output with flexible architecture
  - DC Dimming (0-10V) (2 wire dimming input)
  - RD Dimming (2-wire dimming input)
  - Supports majority of available dimming solutions
- 5 year warrantv

**Compliance:**

- Safety: UL8750, cUL, CE, TUV
- IP66 - Suitable for indoor or outdoor applications in dry, damp and wet locations
- Materials: RoHS Compliant
- EMI: FCC Part 15/18 Class B and EN55015 Compliant
- Noise Rating: Class A

**Orderable Part Numbers****Constant Current Variants**

Part Number	Output Current (mA)	Output Voltage Range (V)	Line/ Load Reg. <sup>1</sup>	Max. Effic.	Max. Output Power (W)	Dimmable
XEL-A014A-042-CX400-Z	400	36.0 ~ 42.0	±5%	83%	16.8	✓
XEL-A014A-038-CX450-Z	450	30.0 ~ 38.0	±5%	83%	16.8	✓
XEL-A014A-033-CX500-Z	500	24.0 ~ 33.0	±5%	83%	16.8	✓
XEL-A014A-028-CX600-Z	600	20.0 ~ 28.0	±5%	83%	16.8	✓
XEL-A014A-024-CX700-Z	700	15.0 ~ 24.0	±5%	82%	16.8	✓
XEL-A014A-019-CX800-Z	800	12.0 ~ 19.0	±5%	82%	15.0	✓
XEL-A014A-015-C1X00-Z	1000	9.0 ~ 15.0	±5%	82%	15.0	✓
XEL-A014A-012-C1X20-Z	1200	7.0 ~ 12.0	±5%	81%	14.0	✓

-N instead of -Z at the end of the part number means non dimming variant. If the variant you need is not listed, please contact Xenerqi ([Sales@Xenerqi.com](mailto:Sales@Xenerqi.com)) and we can arrange for a customized solution.

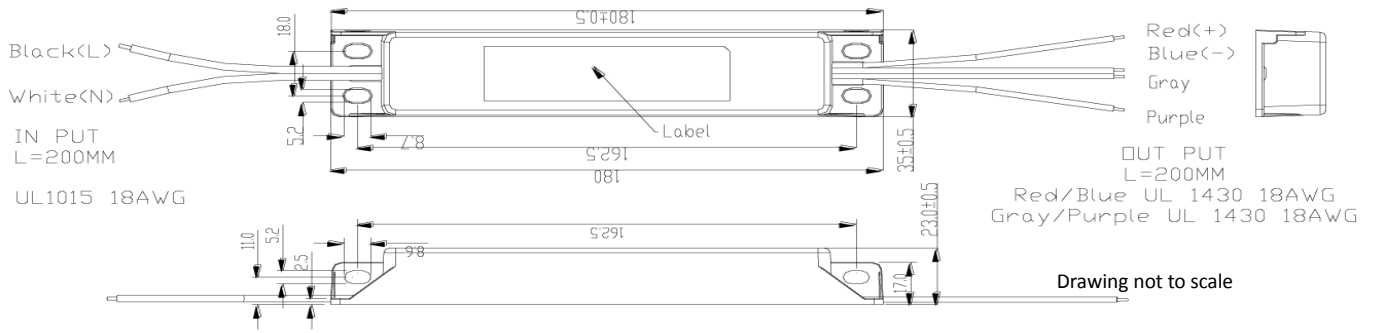
**General Specification**

SERIES		XEL-A014A
OUTPUT	DC VOLTAGE RANGE	15 ~ 42 Vdc (see orderable parts table for details)
	RATED CURRENT RANGE	400mA ~ 1200mA (see orderable parts table for details)
	RATED POWER	Up to 16.8W
	LINE/LOAD REGULATION <sup>1</sup>	±5%
	TURN ON TIME	< 1s
INPUT	VOLTAGE RANGE	108 ~ 305Vac
	FREQUENCY RANGE	47 ~ 63Hz
	POWER FACTOR (Typ.)	PF ≥ 90% at full load
	EFFICIENCY (Typ.)	≥ 80% at full load
	AC CURRENT	0.3A @ 108Vac and 0.15A @ 277Vac
	INRUSH CURRENT (Typ.)	< 30A @ 25°C, 120VAV cold start with full load
	LEAKAGE CURRENT	< 250µA @ 120V
	THD (TOTAL HARMONIC DIST.)	< 20%
DIMMING	MODE	DC Dimming (0-10V) (2 wire dimming input) RD Dimming (2-wire dimming input) Dimming over entire input voltage range
PROTECTION	SHORT CIRCUIT	Hiccup mode protection. Recovers automatically after fault condition is removed
	OVER VOLTAGE	< 35% above the maximum output voltage listed or 35V, whichever is higher
	OVER CURRENT	< 10% above the maximum output current listed for the specific part number
	OVER TEMPERATURE	Unit turns off when Tc > 90°C (±5°C)
ENVIRONMENT	WORKING TEMP.	-20°C ~ + 60°C at Full Load (Tcase rated at 90°C)
	WORKING HUMIDITY	20% ~ 90% RH non-condensing
	STORAGE TEMP.	-40°C ~ + 85°C
	STORAGE HUMIDITY	5% ~ 95% RH non-condensing
	VIBRATION	5 ~ 500Hz, 2G 12min/1 cycle, period for 30 minutes along X, Y, Z axes

<b>SAFETY &amp; EMC</b>	SAFETY STANDARDS	UL8750, CSA C22.2 No. 250.0-08 (except for 42V, ), EN61347-1, EN61347-2-13 independent, IP66 approved ; Design refer to UL60950-1, TUV EN60950-1
	EMI CONDUCTION & RADIATION	Compliance to EN55015 Class A, FCC 47CFR Part 15 Class A
	HARMONIC CURRENT	Compliance to EN61000-3-2 Class C
	EMS IMMUNITY	Compliance to EN61000-4-2,3,4,5,6,8,11; EN61547, lighting industry level surge (2.5KV), criteria A
<b>OTHERS</b>	LIFETIME	50,000 hour at full load and 50°C ambient temperature

Note 1: Load Regulation includes line regulation, load regulation and set-up tolerance  
 Note 2: All specifications not specifically mentioned are measured at 230Vac and 25°C ambient temperature

**Mechanical Details**



Wires	Colors	Type
<b>Input</b>	White (Neutral)	UL1015
	Black (Line)	AWG18
<b>Output</b>	Red/Blue (Positive)	UL1430
	Gray/Purple (Ground)	AWG18
<b>Dimming (Optional)</b>	Red (Dim +)	UL1430
	Blue (Dim -)	AWG18

Case	
<b>Material</b>	Black/White PC/PPO (5VA)
<b>Unit Weight</b>	220g
<b>Dimensions</b>	180mm (L) x 35mm (W) x 23mm (H)

**For more detailed information about this product please contact Xenerqi (Sales@Xenerqi.com)**

**Xenerqi Limited**

Email: [Sales@Xenerqi.com](mailto:Sales@Xenerqi.com)

Website: [www.xenerqi.com](http://www.xenerqi.com)

Phone: +1 (704) 746-9246

+(852) 3050-9292

+(65) 6494-8832

The information and specifications contained in this summary sheet are believed to be accurate and reliable at the time of publication, however Xenerqi Limited assumes no responsibility for damages caused due to potential errors. Also, Xenerqi Limited assumes no responsibility for the use of this product in such way that it infringes on patents or other rights of third parties. No license is granted by implication or otherwise under any patent or patent rights of Xenerqi Limited. Specifications are subject to change without notice. It is upto the end user to ensure they have the latest revision of the published specification.