

Product Highlights:

- Designed for LED lighting and signage applications
- Ideal for Down Light and Recessed Lighting application
- Universal AC input (108~305Vac)
- Built-in active PFC provide PF>0.90 over entire input range
- Class II power supply
- Plastic case (94-V0) cooled by air convection
- Protections: Short circuit / Over voltage / Over Current / Over temperature
- Triac and transistor dimmer support
 - Dimming at 120Vac
 - No visible flicker
 - Support majority of available dimming solutions
 - Wide dimming range from 5% up to 100%
- 5 year warranty



Compliance:

- Safety: UL8750, Class 2 (UL1310)
- EMI: FCC Part 15 Class B
- IP66 - Suitable for indoor or outdoor applications in dry, damp and wet locations
- Materials: RoHS Compliant
- Class A Noise Rating

Orderable Part Number

Constant Current Variants

Part Number	Output Current (mA)	Output Voltage Range (V)	Line/Load Reg.	Max. Effic.	Max. Output Power (W)	Dimmable
XEL-A020A-025-C1X25-T	1.25	9 ~ 18	±5%	80%	18W	✓
XEL-A020A-025-C1X00-T	1.00	12 ~ 20	±5%	82%	18W	✓
XEL-A020A-042-CX700-T	0.70	18 ~ 28	±5%	82%	18W	✓
XEL-A020A-042-CX500-T	0.50	30 ~ 42	±5%	82%	18W	✓
XEL-A020A-052-CX045-T	0.45	42 ~ 50	±5%	83%	18W	✓
XEL-A020A-052-CX035-T	0.35	42 ~ 52	±5%	83%	18W	✓

For non dimming version replace -T with -N at end of part number

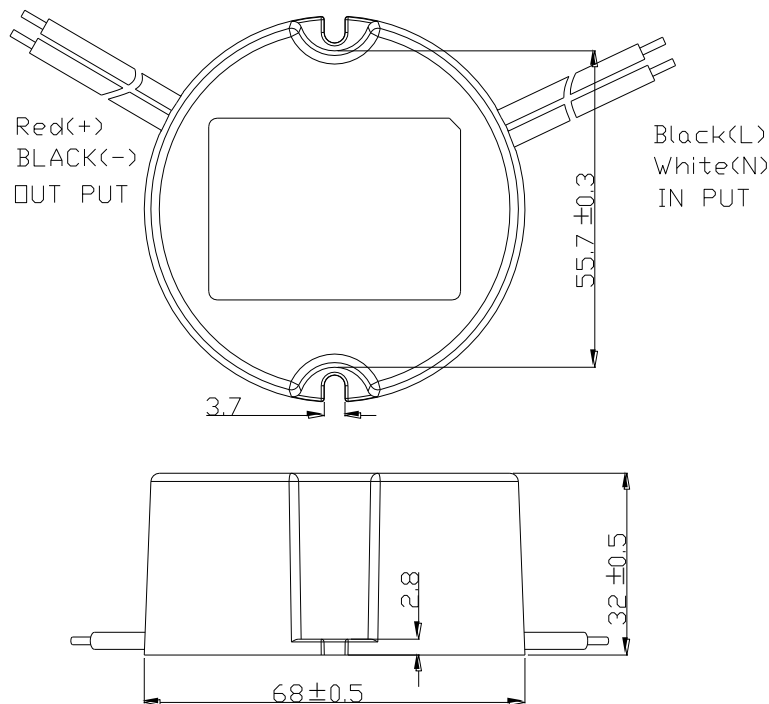
General Specification

SERIES	XEL-A020A	
OUTPUT	DCVOLTAGE RANGE	9 ~ 52 Vdc (see orderable parts table for details)
	RATED CURRENT RANGE	0.35~1.25 A
	RATED POWER	up to 18 W
	LINE/LOAD REGULATION ¹	±5%
	TURN ON TIME	< 800ms
INPUT	VOLTAGE RANGE	108 ~ 305Vac
	FREQUENCY RANGE	50 ~ 60Hz
	POWER FACTOR (Typ.)	PF≥ 90% at full load
	EFFICIENCY (Typ.)	≥ 80 % at full load
	AC CURRENT	0.30A @ 120Vac and 0.15 max @ 277Vac
	INRUSH CURRENT Typ.)	< 8A @ 25°C, 120VAV cold start with full load
	LEAKAGE CURRENT	< 250µA @ 120Vac 60Hz
THD (TOTAL HARMONIC DIST.)	< 20%	
DIMMING	MODES	Triac and transistor dimmer support Wide dimming range from 5% up to 100% Dimming at 120Vac / No dimming at 277Vac
	PROTECTION	SHORT CIRCUIT: Hiccup mode protection. Recovers automatically after fault condition is removed OVER VOLTAGE: < 30% above the maximum output voltage listed OVER CURRENT: < 10% above the maximum output current listed for the specific part number OVER TEMPERATURE: Unit dims to 10% of maximum output current when Tc > 90°C (±5%)
ENVIRONMENT	WORKING TEMP.	-40°C ~ + 70°C at Full Load
	WORKING HUMIDITY	20% ~ 90% RH non-condensing
	STORAGE TEMP.	-40°C ~ + 85°C
	STORAGE HUMIDITY	10% ~ 90% RH non-condensing
	IMPACT RESISTANCE	1 g/s
	VIBRATION	5~500Hz 5g 12 min/1 cycle period for 30 min each along x, y, z axis

SAFETY & EMC	SAFETY STANDARDS	UL8750, Class 2 (UL1310) CE, FCC, IP66 Compliant
	EMI CONDUCTION & RADIATION	Compliance to CISPR 22 CLASS B, CISPR 14-1 CLASS B, GB4343.1-2003, GB17625.1-2003, GB4343-2003+A1, CISPR 14-1:1997, EN55014-1:1997-5, EN55012-1:1997-6
	HARMONIC CURRENT	Compliance to GB4343-2003+A1, CISPR 14-1:EN61000-3-2:1995
	EMS IMMUNITY	Compliance to GB/T13926.3, IEC61000-4-3 & 4-4, PrEN55014-2 Section 6.2 & 6.5, IEC61000-4-11.
	TRANSIENT SUPPRESSION	2.5kV (100kHz ring wave at 2.5kV common mode and differential)
OTHERS	LIFETIME	50,000 hours at 70°C ambient temperature

Note 1: Load Regulation includes line regulation, load regulation and set-up tolerance
 Note 2: All specifications not specifically mentioned are measured at 230Vac and 25°C ambient temperature

Mechanical Details



Drawing not to scale

Wires	Colors	Type
Input	White (Neutral)	UL1015
	Black (Line)	AWG18
Output	Red (Positive)	UL1430
	Black (Ground)	AWG18

Case	
Material	Black/White PC Plastic (94-V0)
Unit Weight	200g
Dimensions	68mm (D) x 32.0mm (H)

For more detailed information about this product please contact Xenerqi (Sales@Xenerqi.com)

Xenerqi Limited

Email: Sales@Xenerqi.com

Website: www.xenerqi.com

Phone: +1 (704) 746-9246

+ (852) 3050-9292

+ (65) 6494-8832

The information and specifications contained in this summary sheet are believed to be accurate and reliable at the time of publication, however Xenerqi Limited assumes no responsibility for damages caused due to potential errors. Also, Xenerqi Limited assumes no responsibility for the use of this product in such way that it infringes on patents or other rights of third parties. No license is granted by implication or otherwise under any patent or patent rights of Xenerqi Limited. Specifications are subject to change without notice. It is upto the end user to ensure they have the latest revision of the published specifications.