

**Product Highlights:**

- AC input (108~132VAC)
- Built-in active PFC provide PF>0.9 over entire input range
- Class 1 non-isolated power supply
- Convection cooled, plastic, UL94V0 case
  - -40°C ~ +70°C ambient, T case <= 90°C
- Protection: Short circuit/Over voltage
  - Automatic over-temperature current fold back
- Class A Noise Rating
- 5 year warranty



**Compliance:**

- UL8750, UL60950-1
- FCC Part 15 Class B
- IP66 - Suitable for indoor or outdoor applications in dry, damp and wet locations
- RoHS Compliant

**Orderable Part Numbers**

Part Number*1	Maximum Output Current (mA)	Output Voltage Range (V)	Minimum*2 Efficiency	Maximum Output Power (W)
XEL-075HDL-CX240-300-NNA01	240	230 ~ 328	90%	72
XEL-075HDL-CX160-300-NNA01	160	230 ~ 328	90%	48

\*1) If the variant you need is not listed, please contact Xenerqi ([Sales@Xenerqi.com](mailto:Sales@Xenerqi.com)) to discuss our "Quick-Custom" optimized solutions  
 \*2) Measured at >=80% of full load.

**General Specifications**

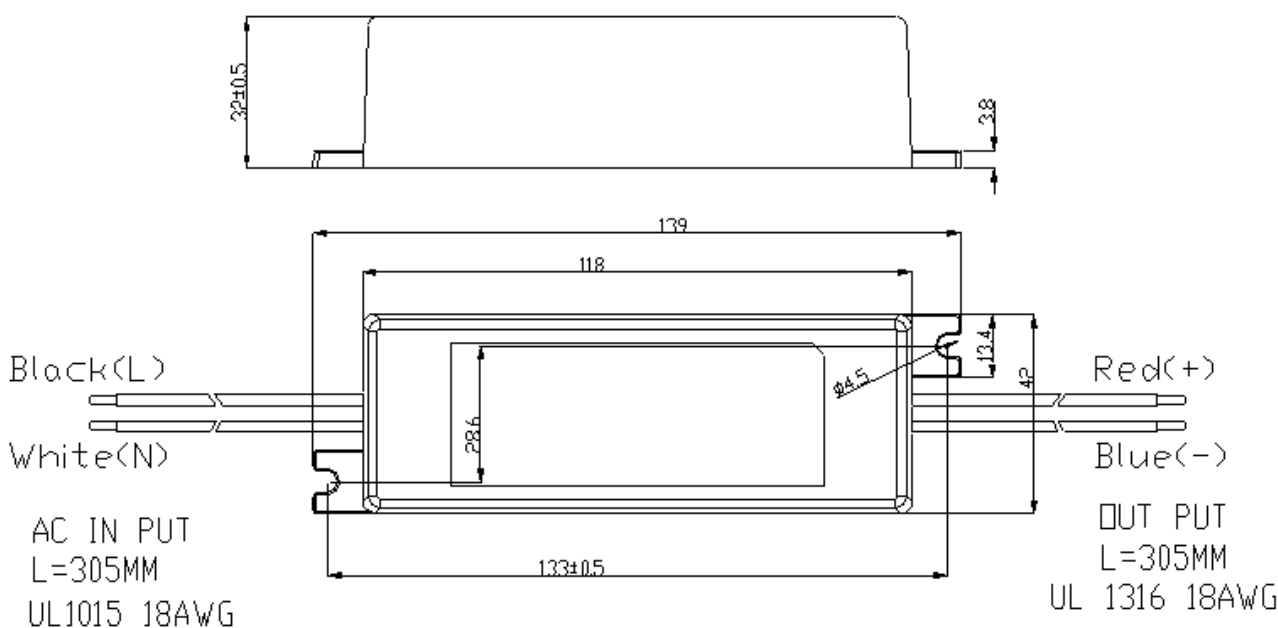
SERIES	XEL-075HDL	
OUTPUT	DC VOLTAGE RANGE	230~ 328Vdc (see orderable parts table for details)
	RATED CURRENT RANGE	0.16A to 0.24A (see orderable parts table for details)
	RATED POWER	48 - 72W (see orderable parts table for details)
	LOAD REGULATION	±5%
	TURN OFF TIME	< 2.0Sec to <30V
	TURN ON TIME	< 500mSec
INPUT	VOLTAGE RANGE	108 ~ 132Vac
	FREQUENCY RANGE	47 – 63Hz
	POWER FACTOR (Typ.)	PFC >0.90, >= 70% Rated Power, 108-132VAC Input
	THD (TOTAL HARMONIC DIST.)	THD ≤ 20%, >= 70% Rated Power, 108-132VAC Input
	EFFICIENCY (Typ.)	≥ 90%, >= 80% Rated Power, 108-132VAC Input
	AC INPUT CURRENT (Max.)	0.8A @ 120VAC
	INRUSH CURRENT (Typ.)	XEL-075HDL-CX240-300-NNA01: < 10A @ 120VAC, <10msec duration, Cold start at 25°C XEL-075HDL-CX160-300-NNA01: <10A .....
DIMMING	MODES	N/A
PROTECTION	SHORT CIRCUIT	Hiccup mode (auto-shutdown and restart). Recovers automatically after fault is removed
	OVER VOLTAGE	Limited to < 360V. Hiccup mode (auto-shutdown and restart) with automatic recovery. Supplemental MOV overvoltage clamp
	OVER TEMPERATURE	Automatic linear current fold-back, Tc >90°C (-0/+5C).
ENVIRONMENT	WORKING TEMPERATURE	Tambient: -40°C ~ +70°C, Tcase: <= 90°C
	WORKING HUMIDITY	5% ~ 90% RH non-condensing
	STORAGE TEMPERATURE	-40°C ~ + 75°C ambient
	STORAGE HUMIDITY	5% ~ 90% RH non-condensing
	Waterproof Rating	IP66 Compliant
	IMPACT RESISTANCE	1 g/s
SAFETY & EMC	VIBRATION	5-55Hz/2g, 30 minutes
	SAFETY STANDARDS	UL8750
	EMI CONDUCTION & RADIATION	FCC Part 15 Class B
	EMS IMMUNITY	Compliance to IEC61000-4-3, IEC6100-4-4, IEC61000-4-11.
RELIABILITY	TRANSIENT SUPPRESSION	6KV/3KA L-L, Combination Wave, tested as per IEC61000-4-5, 10 Hits (5@90°, 5 @270°)
	DESIGN LIFETIME	50,000 hours @ Tcase ≤ 75°C

**Wire and Case Details**

Wires	Colors	Type
Input	White (Neutral)	UL1015 AWG18
	Black (Line)	
Output	Red (LED+)	UL1316-AWG18
	Blue(LED-)	
Dimming (optional)		

Case	
Material	Black/White PC, PBT, PPO, Plastic
Unit Weight	250g
Dimensions	139.0mm (L) x42.0mm (W) x 32.0mm (H)

**Mechanical Dimensions**



*Drawing not to scale*

**Xenerqi Limited**  
 Email: [Sales@Xenerqi.com](mailto:Sales@Xenerqi.com)  
[www.xenerqi.com](http://www.xenerqi.com)

Phone: +1 (704) 746-9246  
 +(852) 3050-9292  
 +(65) 6494-8832

The information and specifications contained in this summary sheet are believed to be accurate and reliable at the time of publication, however XenerQi Limited assumes no responsibility for damages caused due to potential errors. Also, XenerQi Limited assumes no responsibility for the use of this product in such way that it infringes on patents or other rights of third parties. No license is granted by implication or otherwise under any patent or patent rights of Xenerqi Limited. Specifications are subject to change without notice.