



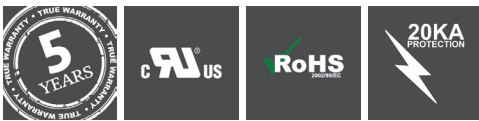
XEL-PA20S

20KV/20KA Surge Protection Series

Lighting Fixture SPD Family
NEMA4X



- ✔ **20KA Surge Protection Rating**
- ✔ **Variants available in dedicated 120V, universal 120~277V, dedicated 347V & industrial 480V**
- ✔ **UL1499 Type 5 recognized for easy fixture integration**
- ✔ **Low profile Slim design for compatability with fixture designs**
- ✔ **Available with or without mounting location for smaller profile**
- ✔ All modes protection: L-N (L-L), L-G, N-G
- ✔ -40°C to +85°C operation for indoor or outdoor applications in dry and damp locations
- ✔ Materials: RoHS Compliant
- ✔ XenerQi Industry Leading 5 Year True Warranty™



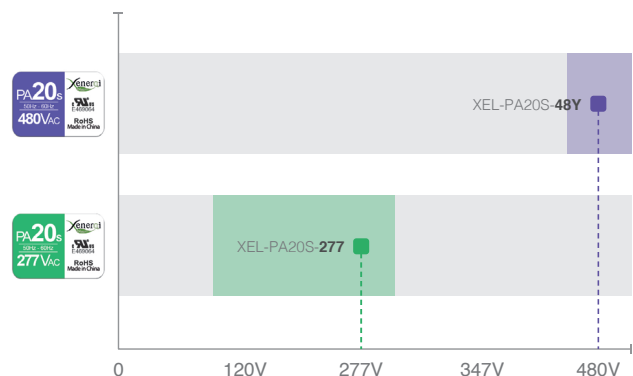
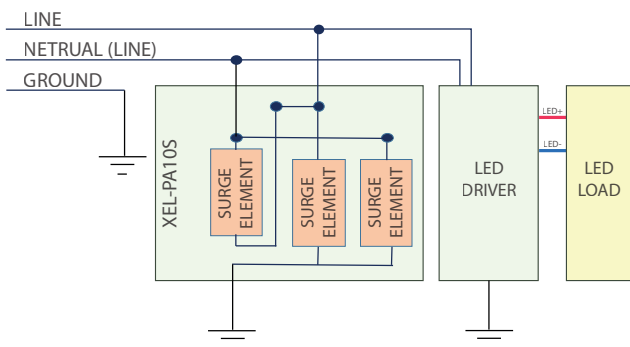
Variants available:

- UL Type 4 (120 ~ 277V)
- UL Type 4 (347V)
- UL Type 5 10KV/10KA (120 ~ 480V)

- XEL-PU10-277
- XEL-P01C-347 (with series protection)
- XEL-PA10S

CHOOSE APPROPRIATE PRODUCT PART NUMBER:
MATCH OPERATING VOLTAGE ON LUMINAIRE DRIVER WITH 'MAX NOMINAL VOLTAGE' FROM MODEL TABLE.

Typical Application



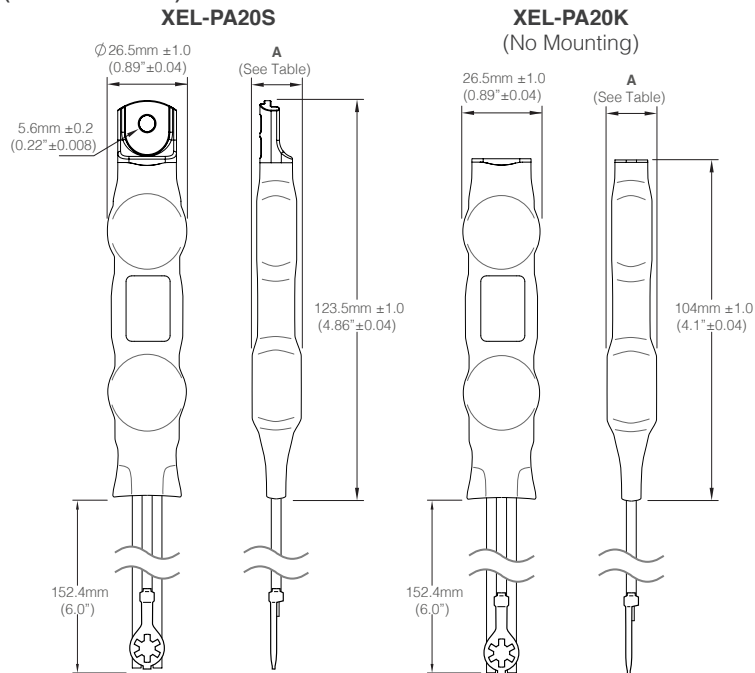
Specification Data

Electrical Specifications

Max surge current	ANSI C62.41 C-High: 20KV/20KA*1
Leakage Current	<0.3 mA
(In) Surge rating (UL1449)	10KA*1
Operating temperature	-40C ~ +85C
<i>(See available model table on page 2 for individual electrical specification details)</i>	

Mechanical Drawings-Dimensions

(not to scale)



Labels-Details

Layout

Labels shown below are an example.

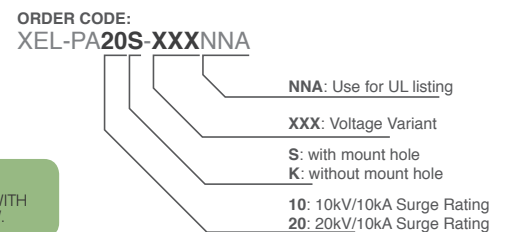


A (Thickness)
 277: 16.5mm (±1mm) / 0.65" (±0.04mm)
 48Y: 21.5mm (±1mm) / 0.85" (±0.04mm)

Case	Wire Dimensions
Material Plastic (Shrink Wrapped)	Wire Gauge 14AWG (UL1015)
Unit Weight TBC	Wire Length 152.4mm (±3mm) / 6" (±0.12")
Dimensions (S Model) 26.5mm x (A)mm x 123.5mm / 1.04" x (A)" x 4.9"	Strip Length 9.5mm (±0.5mm) / 0.375" (±0.02")
Dimensions (K Model) 26.5mm x (A)mm x 104mm / 1.04" x (A)" x 4.1"	
Recommended Fixings 1x M4 / 8-32 Fastner	

Available Models

CHOOSE APPROPRIATE PRODUCT PART NUMBER:
 MATCH OPERATING VOLTAGE ON LUMINAIRE DRIVER WITH
 "MAX NOMINAL VOLTAGE" FROM MODEL TABLE BELOW.



	Part Number*	Max Nominal Voltage	Max Continuous Operating Voltage	Max Limiting Voltage (MLV)		Clamping Voltage
		(V)	(MCOV)	L-N (L-L)	L/N - G	
Variants (with Mounting)	XEL-PA20S-277	277	320	1190	1330	840
	XEL-PA20S-48Y	480	550	2040	2260	1500
Variants (without Mounting)	XEL-PA20K-277	277	320	1190	1330	840
	XEL-PA20K-48Y	480	550	2040	2260	1500

* Part numbers shown are for Xenerqi ordering codes. For UL listings add 'NNA' to end of part number (Eg. XEL-PA20S-277NNA)

**Up - IEC 61643-11 Voltage protection level; the highest value of residual voltage measurements during the application of impulses of 8/20us nominal discharge current (in); a rounding voltage value of maximum measurement.

The information and specifications contained in this summary sheet are believed to be accurate and reliable at the time of publication, however Xenerqi Limited assumes no responsibility for damages caused due to potential errors. Also, Xenerqi Limited assumes no responsibility for the use of this product in such a way that it infringes on patents or other rights of third parties. No license is granted by implication or otherwise under any patent rights of Xenerqi Limited. Specifications are subject to change without notice.