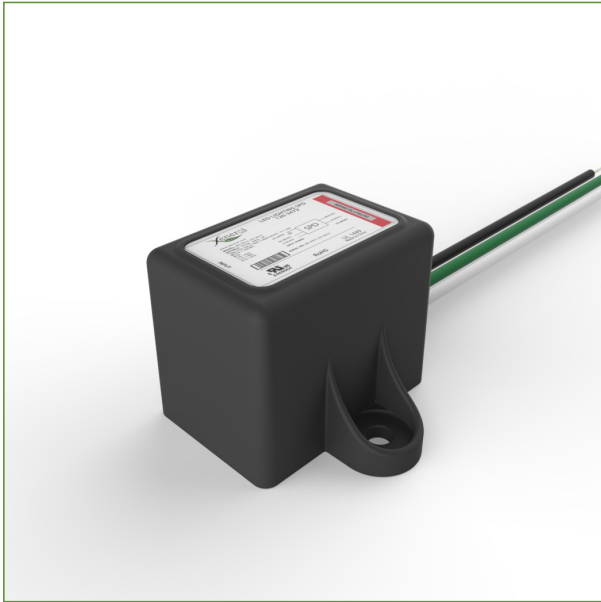




# XEL-Px10-277 Surge Protection Series

120~277V LED Driver SPD

IP66/NEMA4X



UL certified for ease of luminaire integration & available in 2 models:

**UL1449 Type 5 (A Version)**

**UL1449 Type 4CA<sup>\*\*</sup> with thermal protection (U-Version)**

**Protection modes: L-N, L-G, N-G**

Designed for LED Driver Surge Protection

Ingress protection: IP66/NEMA4X

Suitable for indoor or outdoor applications in dry, and damp locations

Materials: RoHS Compliant

Warranty: 5 years<sup>\*\*3</sup>

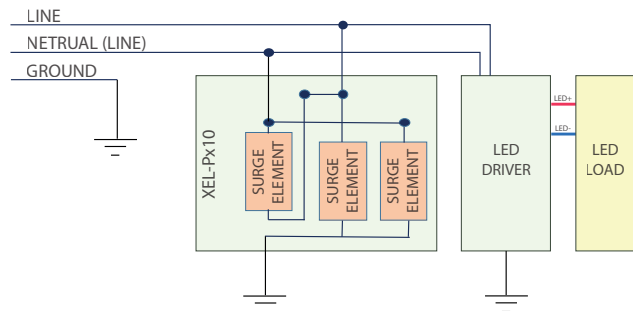


Variants available:

- UL Type 5 Slim Design
- UL Type 4 Series Protected

- XEL-PA10S
- XEL-P01C-347 (with series protection)

## Typical Application



## Specification Data

### Electrical Specifications

Nominal Working Voltage	120~277VAC, 47~63Hz
Maximum Continuous Operating Voltage (MCOV)	L-G: 320VAC
(In) Surge rating (UL1449)	5KA <sup>*1</sup>
Maximum Limiting Voltage <sup>*2</sup>	Type 5: 1080V <sup>*1</sup> Type 4CA: 1050V <sup>*1</sup>
Max surge current	Ansi C62.41 C-High: 10KV/10KA <sup>*1</sup>
Clamping Voltage	840V (@100A)
Leakage Current	<0.3 mA
Operating temperature	-40C ~ +70C

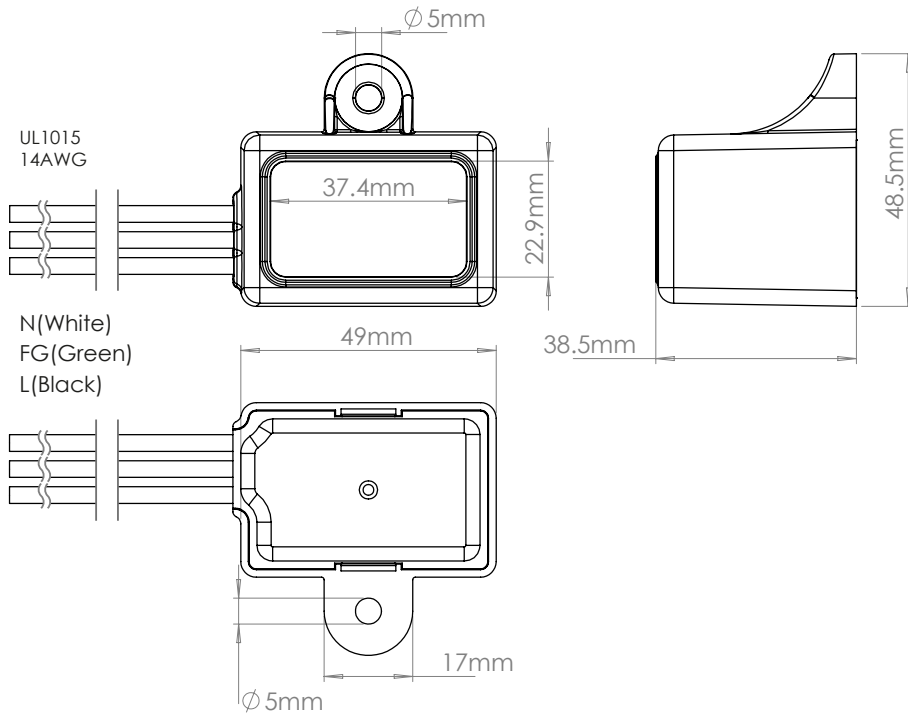
\*1: Standard and UL1449 models offer similar surge protection capabilities. UL1449 certified units pass extended testing and include thermal protection. MLV based on 50mm wire length.

\*2: +10% tolerance on MLV ratings

\*3: Product warranted for materials and workmanship. Surge events may render warranty invalid. Refer to XenerQi warranty document for details.

## Mechanical Drawings-Dimensions

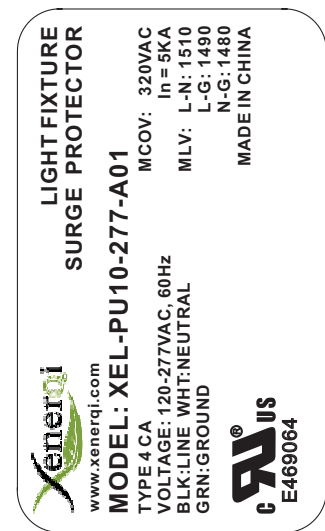
(not to scale)



## Labels-Details

Layout

Label Shown below is an example.  
Contains a unique serial number and bar code for each unit.



Case		Wire Dimensions	
Material	mPPE (Black Plastic 94 V0)	Wire Gauge	14AWG (UL1015)
Unit Weight	TBC	Wire Length	150mm (±20mm)
Dimensions	50.5mm x 48.5mm x 38.5mm	Strip Length	10mm (±2mm)
Fixings	1x M5 Bolt		

## Available Models

Variations available upon request

Part Number	Part Description
XEL-PA10-277-A01	XenerQi 10KA Basic Parallel SPD (UL1449 Type 5)
XEL-PU10-277-A01	XenerQi 10KA Thermally Protected Parallel SPD (UL1449 Type 4CA)

The information and specifications contained in this summary sheet are believed to be accurate and reliable at the time of publication, however Xenerqi Limited assumes no responsibility for damages caused due to potential errors. Also, Xenerqi Limited assumes no responsibility for the use of this product in such a way that it infringes on patents or other rights of third parties. No license is granted by implication or otherwise under any patent rights of Xenerqi Limited. Specifications are subject to change without notice.